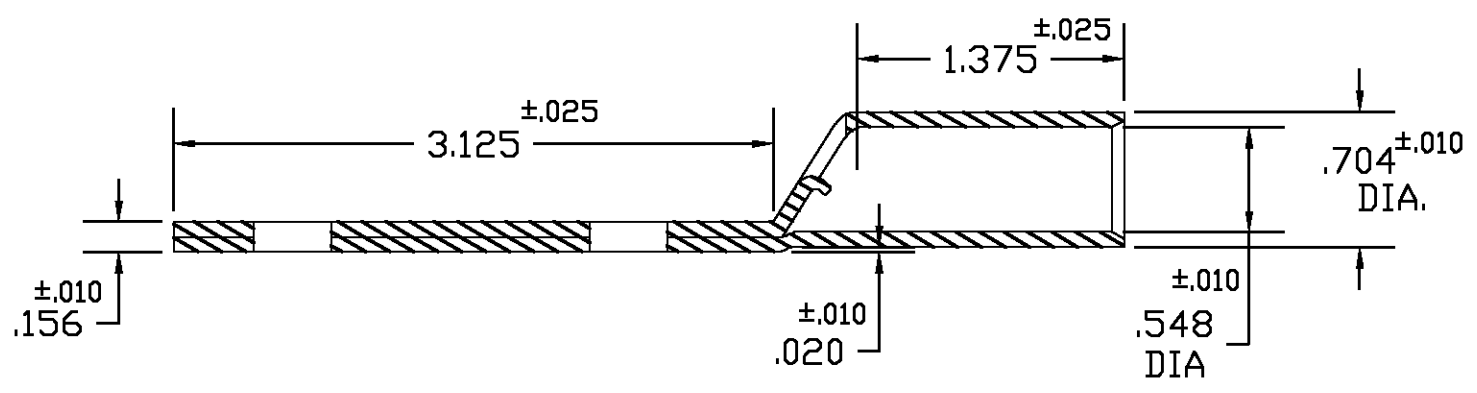
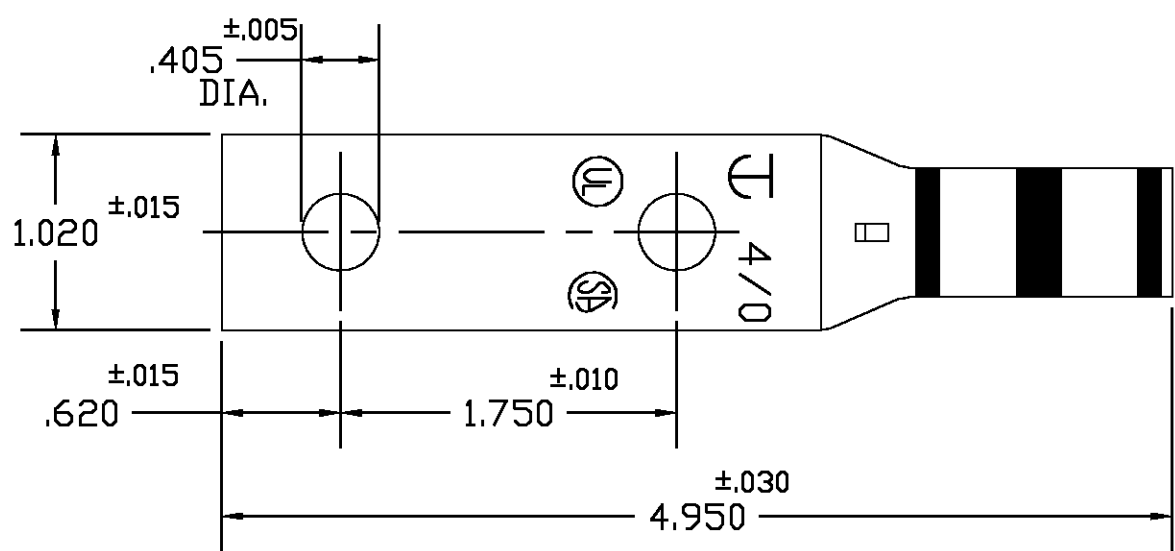


THIS DRAWING IS UNPUBLISHED. RELEASED FOR PUBLICATION
 © COPYRIGHT BY TYCO ELECTRONICS CORPORATION. ALL RIGHTS RESERVED.

LOC	DIST	REVISIONS					
		P	LTR	DESCRIPTION	DATE	DWN	APVD
G	50		A	REV PER 0G3H-0055-04	27FEB04	JR	MS



COLOR CODED PURPLE

ACTIVE	L2-40387	STANDARD	COLOR CODED	1527364-3
STATUS	AET P/N	PACKAGING	FINISH	PART NUMBER

THIS DRAWING IS A CONTROLLED DOCUMENT.		DWN D.A.A 12/1/00	Tyco Electronics Corporation Harrisburg, PA 17105-3608	
DIMENSIONS: INCHES	TOLERANCES UNLESS OTHERWISE SPECIFIED:	CHK H.D.F 12/1/00	NAME TUBULAR TERMINAL #4/0 LONG BARREL-2 HOLES	
	0 PLC ± - 1 PLC ± - 2 PLC ± - 3 PLC ± - 4 PLC ± - ANGLES ± -	APVD H.D.F 12/1/00	PRODUCT SPEC -	RESTRICTED TO -
MATERIAL COPPER ASTM B-75	FINISH -	APPLICATION SPEC -	WEIGHT -	SIZE A3
CUSTOMER DRAWING		CAGE CODE 00779	DRAWING NO C-1527364	SCALE 1:1
		SHEET 1 OF 1		REV A